

Digital Elapsed Time Indicator

(mercury free)

The Heraeus elapsed time indicator ETI 300 (patented) is a small and inexpensive, low power consumption device to measure the operating hours of a Deuterium Lamp or other lamp device. The hours are shown on a 4 digits LCD display. It works on a purely electronic basis and was developed as a replacement of the widely used elapsed time indicators in a sealed mercury electrolysis unit. Since the introduction of the new RoHS regulations mercury containing time indicators are no longer allowed.

The new Heraeus ETI 300 mercury free time indicator is the first one which totally complies with the RoHS directive.



Key features of Time Indicator:

- For all deuterium lamps and other lamps
- Mercury-free, RoHS compliant
- patented
- Electronic function

Electrical specifications:

Operates on a pure or pulsed DC signal (50-200Hz)	
Current:	350 mA DC
Time scale:	0-9999 h, 59 minutes, 59 seconds
Resetting:	no user reset possible
Resolution:	1 second
Accuracy:	< 1% of actual reading
Power source:	Batteries (built-in)
Lifetime and data hold:	3 years min.
Operating temperature:	-10°C to +45°C
Storage temperature:	-20°C to 60°C
Leads:	Silicon insulated wires, color red CSA/UL approved AWG 20 Operation temperature: 150 °C Operation voltage: 600 V length: 400 mm closed loop

Mechanical Specification:

Modul size (LxWxH):	69 x 12 x 12 mm 2.7 x 0.47 x 0.47 inch
LCD screen (LxH):	20.1 x 5.2 mm 0.8 x 0.2 inch
Number of digits:	4
Digit height:	4.5 mm
Weight:	50 g

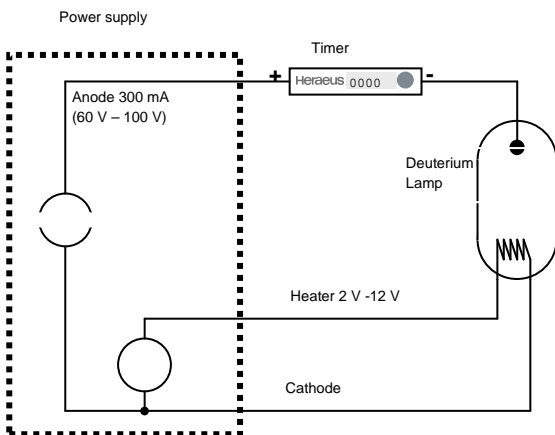
Others:

Material of plastic case:	PC UL grade (V-0)
RoHS:	complies with RoHS directive (EU-Directive 2002/95/EC January 17, 2003)
Lable::	trash bin embeded in the rear of the case
Patent:	ETI 300 is patented under the US patent No. 6.909.248
Part number:	ETI 300 – 80040745

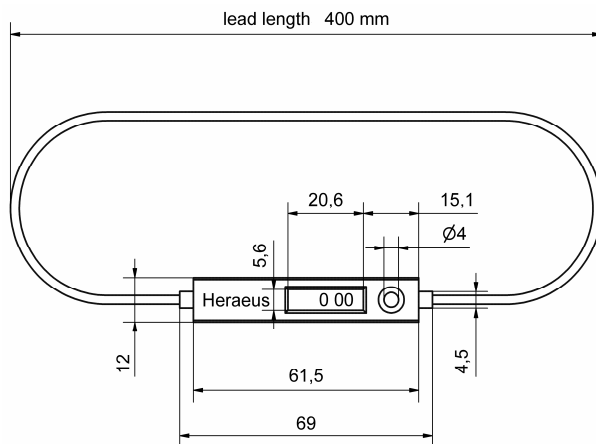
Application

By mounting the product in the anode line of a deuterium lamp, the device will provide a visual record of actual hour of life. Warranty period may then be stated realistically in hours of use.

Technical Information



Connection of ETI 300 - typical connection of a deuterium lamp



Dimensional outline ETI 300 (in mm)

Germany

Heraeus Noblelight GmbH
Heraeusstraße 12-14
63450 Hanau
Phone +49 6181 35-5085
hng-analyticallamps@heraeus.com
www.heraeus-noblelight.de

U.S.A.

Heraeus Noblelight LLC
2150 Northmont Parkway
Duluth, GA 30096
Phone +1 770 418 0707
analytics-usa@heraeus.com
www.heraeus-noblelight.com

United Kingdom

Heraeus Noblelight Analytics Ltd.
Nuffield Close
Cambridge CB4 1SS
Phone +44 1223 424100
hna-analytics@heraeus.com
www.heraeus-noblelight.com

PR China

Heraeus Noblelight (Shenyang) Ltd.
4F, 11th Building, No.99 Tianzhou Rd.
Shanghai, 200233
Phone +86 21 5445 2255
info.hns@heraeus.com
www.heraeus-noblelight.cn

France

Heraeus Noblelight France
12, av. du Québec - Bât I 2
91945 Courtaboeuf Cedex
Phone +33 1 69184848
didier.baty@heraeus.com
www.heraeus-noblelight.com

Australia

Heraeus Amba Australia Pty. Ltd.
Unit 3, 41-49 Norcal Road
NUNAWADING, VICTORIA 3131
Phone +61 3 9874 7455
sales@heraeus-amba.com.au
www.heraeus-noblelight.com